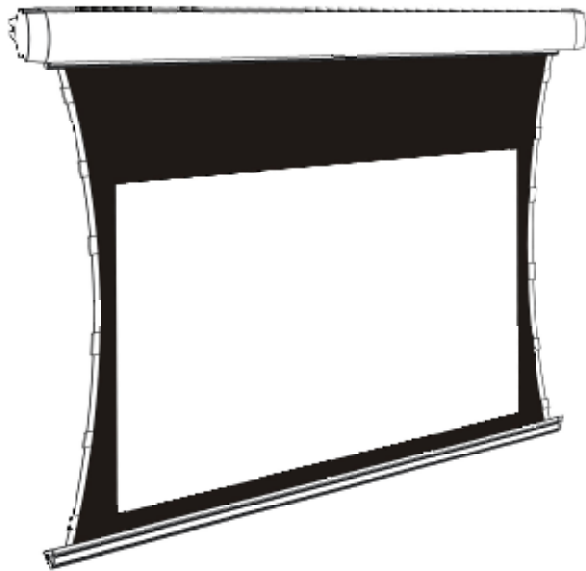


# DREAMSCREEN

**-Excelling your image-**



Thank you for purchasing a DreamScreen projection screen. Before use, please read instruction carefully. After installation, store instruction for future reference.



1. When assembling, do not stand in right under the screen to avoid any hazard. Expansive bolt should be firmly punched and fixed into the wall or ceiling.
2. Be sure the ground wire is connected with power cable effectively to avoid electric shock.
3. When use the laser pointer function on remote control, please be sure not to point to people directly to avoid any hurt.

Please open the carton and check accessories according to the list.  
Adjust the position between the two plates:

Before installing screen, please screw off the connection plate between casing and bottom bar (Figure 1)

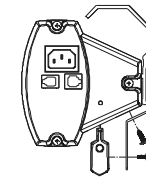


Figure 1

Wall mounting

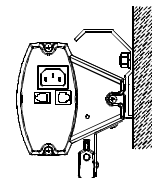


Figure 2

ceiling hung

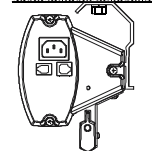


Figure 3

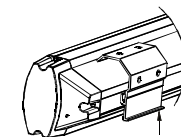
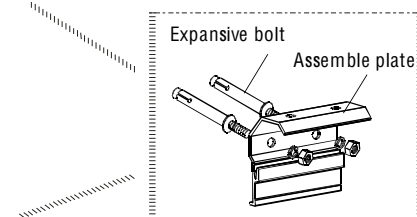
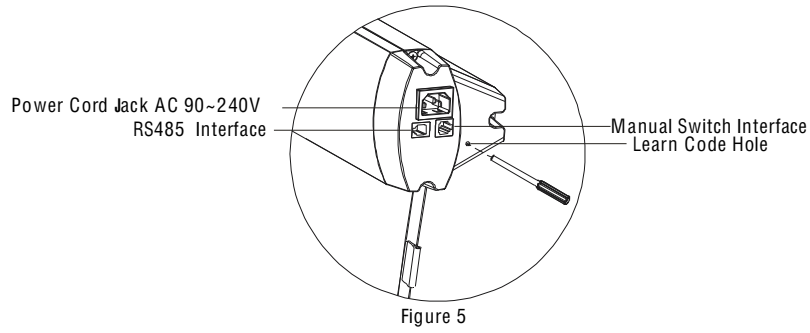


Figure 4

The screen provide four control ways: RF remote control; cordless trigger control; manual switch control; RS485 control (Figure 5)



1. plug the power cord into the power jack on the right end cap .
2. switch on the power (within stated voltage)

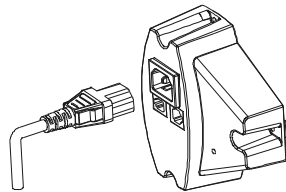


Figure 6

1. insert manual switch cord into the interface of right end cap
2. connect power on
  - Push the button down, lift the screen
  - Push the button up to down the screen
  - To stop any time while the screen is in motion, turn the button to "0"



Figure 7

2

1. The remote has been set up at the factory, and should work right away. However, if you would like to control another screen with the same control, you will need to use the learn function.
2. Make sure the manual switch is in the closed position and the switch-cord disconnected. Please press the hole at the right-end-cap for 3 seconds, indicated by a light flash, then press the back of remote control the receiver led light at the right-end-cap will become normally on from flash situation. Now we finish the learn code function . Please refer to remote control user manual for some details instruction about learn code function

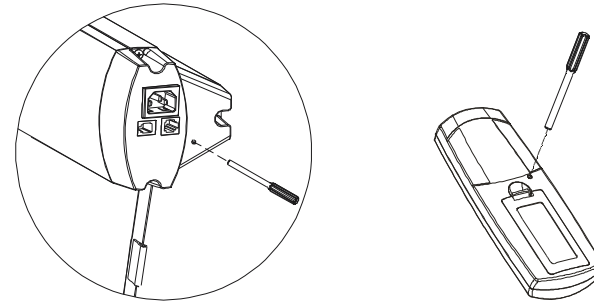
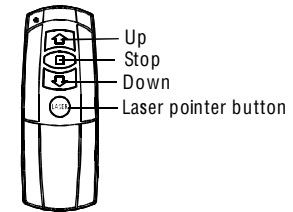


Figure 8

3. please operate as follows

- Press ▲ to lift the screen
- Press ■ to stop the screen
- Press ▼ to down the screen



Remote control  
(battery AAA DC 1.5V×2)

Figure 9

The remote uses a powerful anti-interference module, providing excellent stability. By using the screens built-in-receiver, the screen can be controlled from as far away as 40 meters (wall will reduce the distance)

3

The remote has been set up at the factory, and should work right away. Please operate as follows:

1. Make sure the manual switch is in the closed position and the switch-cord disconnected
2. Insert the trigger directly into trigger out interface of projector, when running the projector, the screen will down automatically when closing the projector, the screen will up automatically

If need control another screen with the same trigger, or changed new remote control than need finish learn code again as follows.

1. Make sure the manual switch is in the closed position and the switch-cord disconnected Also make sure your projector open trigger function. press the hole of right end cap 3 seconds with small touch needle, indicated by a light flash, then press the hole in the back of cordless trigger 3 seconds, receiver led light at the right-end-cap will become normally on from flash situation.. Now we finish the learn code function. Please refer to cordless trigger control user manual for some details instruction about learn code function.

After finishing learn code function, now, you can insert projector trigger out interface straightly. Our patented cordless trigger allows your screen synchronize its up and down with projector power cycle. When projector power open, the screen up, projector power close, the screen down automatically. Or when projector power is open situation, you insert wireless trigger, the screen will up, take the trigger off projector, the screen will also down automatically.

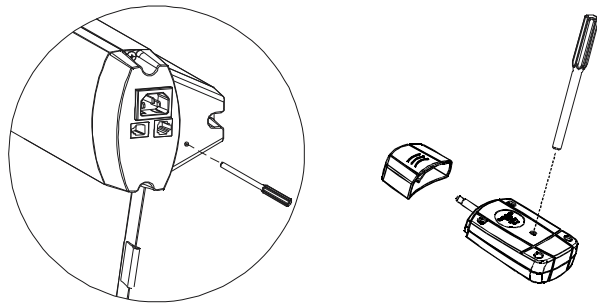


Figure 10

Plug one side of the signal cord into the computer output interface at right side of the screen's end cap, the other side of the signal cord to plug into the interface of computer Rs485, and then you can run the screen up/pause/down via computer.

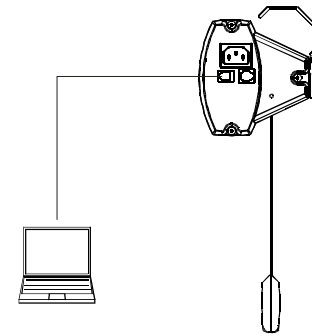


Figure 11

fabric is always on the right position before out of factory. However, If fabric needs adjusting, a micro adjusting switch is provided. Please use a screw knife of 3mm diameter or other enclosed tool to insert into the hole the right bottom of case for adjusting

1. Adjusting for up limited position (fabric drawing back stage) When the fabric in the stage of drawing back and the bottom shaft is not in right place, please operate as the up limited position drawing, turn as "+" direction, the fabric will descend; turn as "-" direction, the fabric will rise .

Note: please insert the tool as the showed angle.

2. adjusting for bottom limited position (fabric completely open up) when the fabric completely open up, while the top black border is not in right place .please operate as the bottom limited position drawing ,turn as "+" direction, the fabric will descend; turn as "-" direction, the fabric will rise .

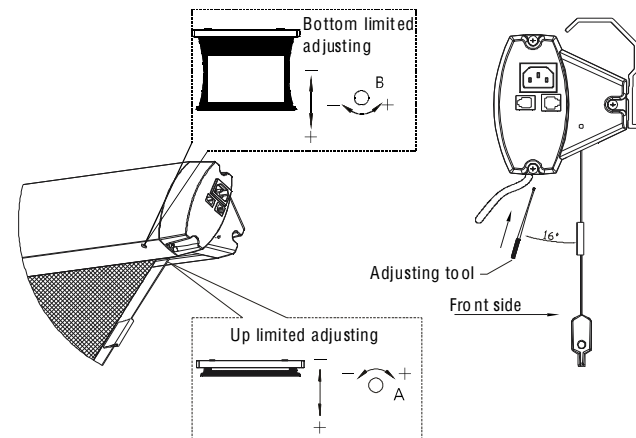


Figure 12

If the tension is loose or over-tension, please adjust is as following fig

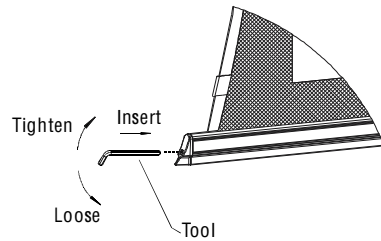


Figure 13

Area	Dusty	Dirty
Casing	Light dusting is possible with a feather duster	Clean with a mild soap solution and dry with a lint free cloth. Take care not to scratch the casing
Surface	Clean with a feather duster	Use a lint brush to remove any dirt

Phenomenon	* Check parts reason	Processing method
Remote control malfunction	* Check if the battery power off	Replace battery
Abnormal sound of motor	* Capacitor broke up	Change capacitor
Motor not run	* Motor broke up	Change motor
Fabric rolling reversal	* A little rolling reversal	Adjust according to the chapter of " adjusting "

(If there are any other malfunctions, please consult your local approval agent)

1. please do not run the screen continuously above 5 minutes to avoid the motor damaged due to overheat aging; when next operation please wait the motor cool down
2. do not scratch or fold up the fabric.
3. After usage, please check again there are no other foreign objectives on the screen surface and then draw back the fabric into the case

Name	Picture	Quantity
Expansive bolt		4
Assembling plate		2
Adjusting tool		1
Hex key		1
Trigger learn needle		1
Screen learn needle		1
Cordless rigger		1
Remote control		1